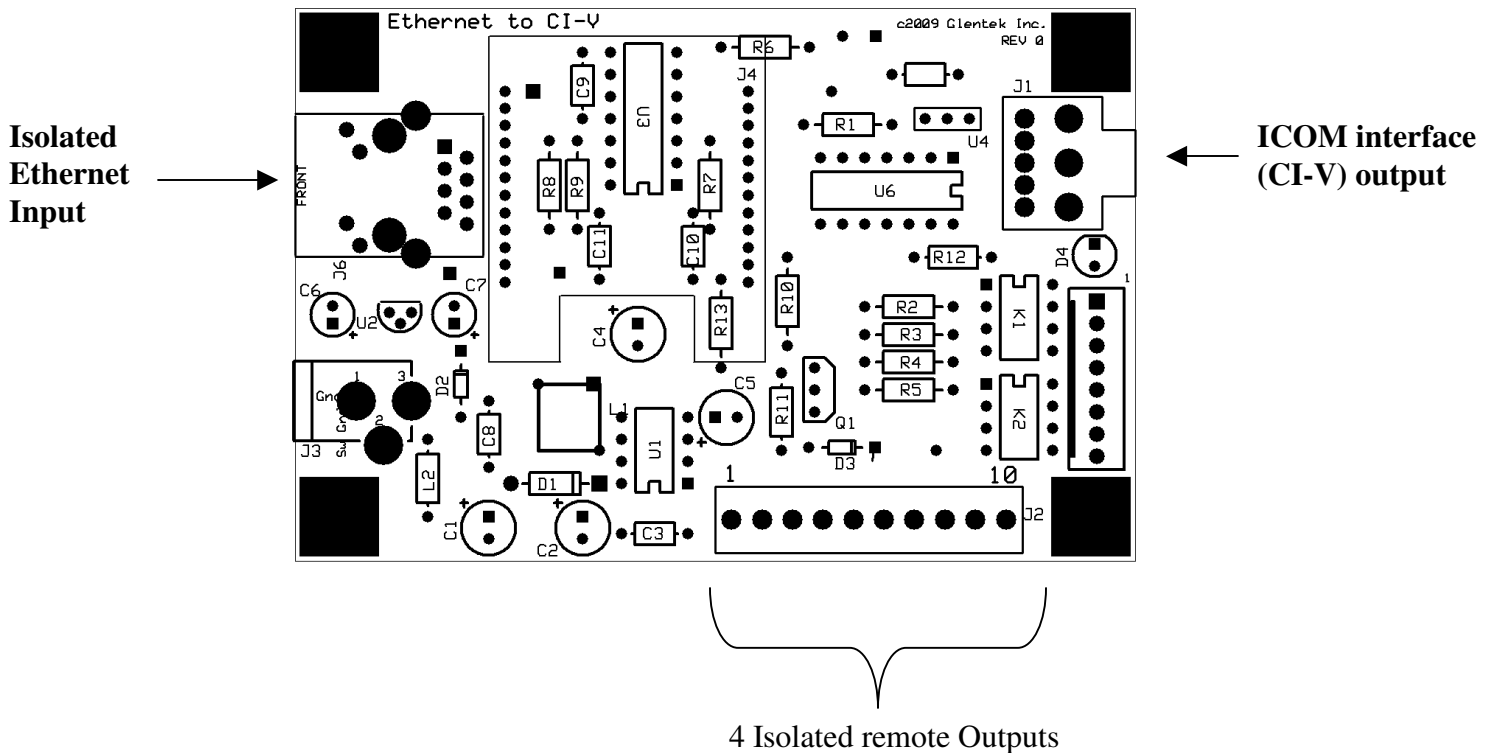


Direct Ethernet to Icom CI-V Converter

A remote sensing and control product from Glentek Systems



- Modernize to Ethernet control: isolation of radio from computer system
- Easy access via Internet or LAN
- Com Port redirectors allow use of Rig Control software already in use. Your choice of Rig control software ... IT DOESN'T MATTER.
- Simple changeover from RS232 to Ethernet using all of your current software
- Embedded web server allows setup to be changed remotely via a simple web page access.
- Your radio will have its own IP address!
- Email monitoring alerts with all functions accessible via Ethernet connection
- Proven Lantronix software and Ethernet interfaces. Full Lantronix technical support.
- Ethernet provides much needed isolation between your antenna system and a local computer ... a value even if you don't need to remote.

List \$199.95

Also included:

- A 3 minute PTT timer as required by the FCC for remote station operations
- Automatic radio turn-on when serial activity is detected (external relay required)
- Automatic radio turn-off when Ethernet connection is lost for more than 30 seconds (no more hung up systems when your internet connections go down). Fail safe remote operation
- Sockets compatible with AQW solid state relay series.
- Wide range of operating voltages
- Just add audio via Skype or any other path for complete and simple remote operations.
- Direct response to CI-V commands

Remote operation:

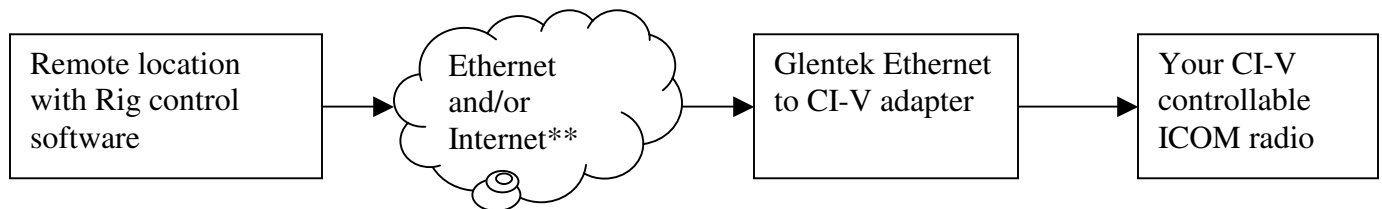
No computer needed at the radio site for complete CI-V control*

Use your existing Rig Control software without any modification. Your software controls all the connections (speed, etc.) as if you were directly connected

Com Port redirector software is included

Controls multiple radios via CI-V commands

HR-Deluxe and many other rig control programs allow you to create your own commands. Use these to control the outputs and/or rig PTT activating the 3 minute timer via your existing software.



Yes, it's that simple !!

*Icom radios vary in the number of functions that can be controlled. Consult your manual

**Internet access may require additional equipment such as a router

